



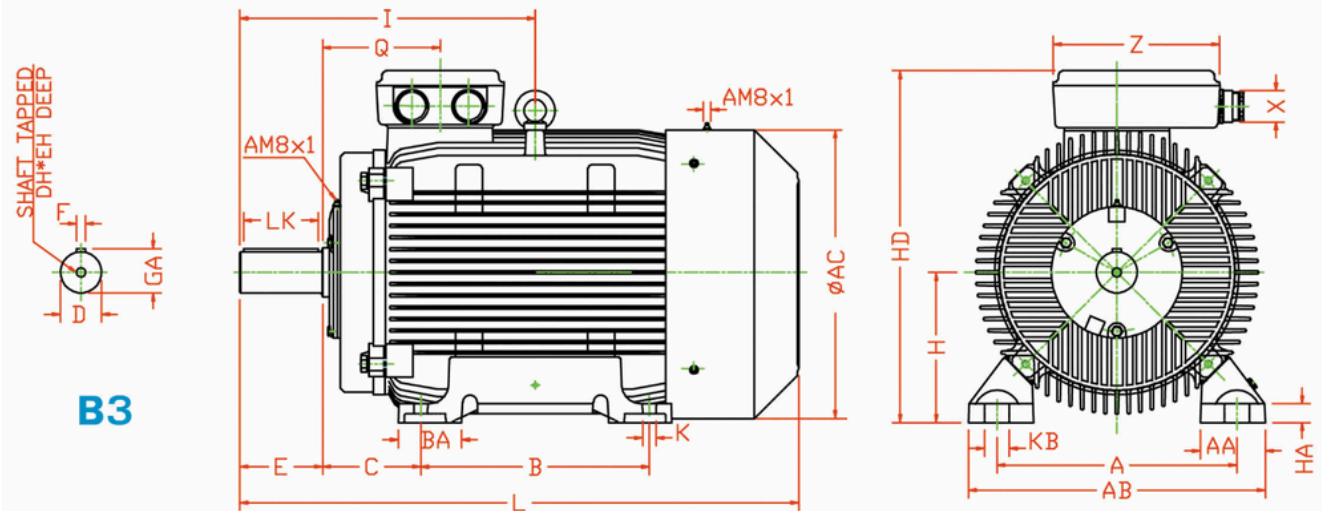
# MOTOGEN

## TECHNICAL SPECIFICATIONS

PARAMETERS	Value
Motor type	225M4A
Frame size	225M
Output power (KW/HP)	37/50
Rated voltage D/Y-(V)	380/660
Rated Speed (RPM)	1463
Rated current D/Y-(A)	70.2/40.5
Rated torque (N m)	240.8
Efficiency (%)	90
Power factor (cos phi)	0.89
Starting current/Rated current	6.6
Starting torque/Rated torque	3.1
Breakdown torque/Rated torque	2.7
Moment of inertia (Kg*m <sup>2</sup> )	0.3526
Weight (Kg)	337
Color	Gray-Ral7030
Body	Cast Iron
Stator winding wire material	copper
Rotor winding material	aluminium
Driven end bearing	6314-Z
Non-driven end bearing	6314-Z
Insulation class	F
Thermal Class	B
درجه حفاظت IP	65

الکتروموتور (۲۲۵M۴A) ۳۸۰/۶۶۰ ۶۵F ۱۵۰۰-۳۷ ۲۲۵M۴A  
فلنج B۳

سایز فریم 180-280



BA	K	KB	AB	A	AA	LK	HA	AC	Z	Q	I	X	L	E	EH	DH	GA	F	D
84	18	33	436	356	96.5	100	29	433	203	174.5	440	Pg29	805	140	48	M16	64	18	60

S	M	g1	T	LA	N	P	HD	H	C	B
-	-	-	-	-	-	-	522.5	225	149	311